

**INTERNATIONAL SEMINAR ON SCIENTIFIC ISSUES AND TREND
PROCEEDING FORMAT WITH TITLE OF PAPER SIZE 14 PT
(Not Contain Abbreviation)**

First Author Name¹⁾, Second Author²⁾

¹⁾ Name Studies Program, Campus
Campus address (according homebase)
email: author1@first.ac.id

²⁾ Name Studies Program, Campus
Campus address (according homebase)
email: author2@second.ac.id

Abstract - This paper used as a guide for writing papers (scientific papers) for publication in a ISSIT 2013. Author of the paper should follow the instructions given in this paper. Abstract limited to 200 words and should not contain equations, drawings, and tables. Font size for the abstract, keywords, and the paper weight is 10 points.

In the prologue contains abstracts of the issues raised, the proposed method and the results desired (as hypotheses).

Keywords: minimum of 2 words or phrases, maximum of 5 words or phrases

I. INTRODUCTION

This guide can be used as a template for the full paper International Seminar On Scientific Issues And Trend (ISSIT).

Please use this guide and for the course as well as campus and tailored to address homebase author.

Introduction contains background of the study (the real problems which are supported by clear references) and the proposed method is applied and useful purpose for society.

II. THEORY

Load supporting theories of the proposed method for solving a problem and/or development of the method, which is based clear reference (books, journals, proceedings and other research articles).

2.1. Display Format Document

As for using a paper format A4 (21x29, 7cm) and write margin as shown in Figure 1, and use the left and right alignment in the abstract (form Alenia, italic) and paper weight (paragraph form).

While the form of the table is just using the horizontal line design for the column headings and the end of the field, an example can be seen in Table 1.

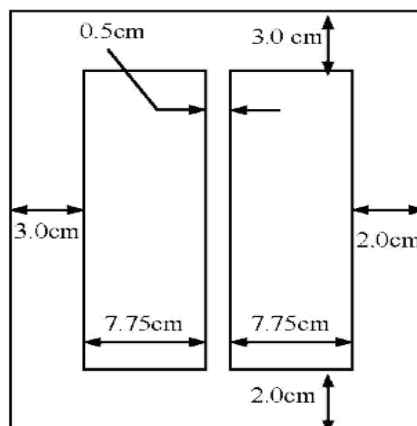


Figure 1. Margins and page layout on A4 paper

2.2. Font Size

Font size is shown in Table 1. The font used is Times New Roman, and each foreign word in italics.

Table 1. Font Size

Size	Uses for
8 points	Subscripts and footnotes
9 points	Headline figures and tables
10 points	Agencies author, abstract, keyword, subtitle, paper body, and references
12 points	Author
14 points	Title of paper

2.3. Equations and Symbols

Equations are written in italics (italic) and given a number in parentheses. Citations equation must be in the form of "equation (2)". All symbols should be defined in the body of the text.

Here's an example of a symbol that is used along with the equations:

$$\textit{Similarity} (p, q) = \frac{\sum_{i=1}^n f(p_i, q_i) X w_i}{w_i} \quad (1)$$

Description:

p = new Case

q = Case is in storage

n = number of attributes in each case

i = individual attribute from 1 to n

f = function i attribute similarity between cases p and q

q

w = weight given to the i attribute

2.3. Numbering

Use numbering according to the sequence numbering in Microsoft Word and for the mention of an item using a colon with no spaces:

1. Sub Title using Roman numerals (I, II, and so on)
2. Parts of Sub Judu using sub numbering (2.1. Sub1, 2.2. Sub2, and so on)
3. Item number sequence, starting from the mention of the numbers up to the letter:
 - a. Original items (1, 2, 3,)
 - b. Sub item below (a, b, c,)

Give numbering libraries used as a reference in square brackets [1]. Quotation is done by mentioning the reference number, for example [2]. Do not write "Ref [3] or reference [3]". Citation style used is IEEE (IEEE 2006 style).

And page numbering to be under the paper with flattening positions in accordance with the design of the header and footer sections (Different Odd & Event Pages):

1. Odd pages are on the right
2. Even pages are on the left.

III. RESULTS AND DISCUSSION

The paper should contain the results of simulations or measurements as a validation method. Can be either the result table, narrative derived from a calculation formula or percentage of chart data calculations.

IV. CONCLUSION

Each paper should have a conclusion. Additional titles to be able to put a thank you after the conclusion section. Most recent list of references placed and used in accordance with the serial number with the IEEE style.

REFERENCES

- [1] W.L. Rahal, N. Benabadji, A.H. Belbachir, "Software And Hardware Implements For Tracking Low Earth Orbit (LEO) Satellites", *Revue Teledetection*, vol 8, no 2, 2008, p.137-146.
- [2] E. Pitowarno, *Robotika: Desain, Kontrol Dan Kecerdasan Buatan*, Penerbit Andi, Yogyakarta, 2006.
- [3] T.S. Kelso, *NORAD Two-Line Element Sets*, <http://celestrak.com/NORAD/element>

Author 1, is currently a lecturer of the Study Program of Information System, AMIK BSI. He received a Master Degree in Computer Science from Budiluhur University in 2008 on "E-Business Engineering". Author, M. Kom research interests are in E-Business Engineering. He was Chief of Research Institution and Community Service, Bina Sarana Informatika.

Author 2, is a lecturer of Computer Science, Faculty of Postgraduate the Study Program of Computer Science, STMIK Nusa Mandiri. He received Master degree in Computer and Informatics Systems from Gadjah Mada University and Doctor degree in Computer Science from University of Indonesia. Dr. Author research interest are in software engineering.